

High Performance Ball Valves

BV Series

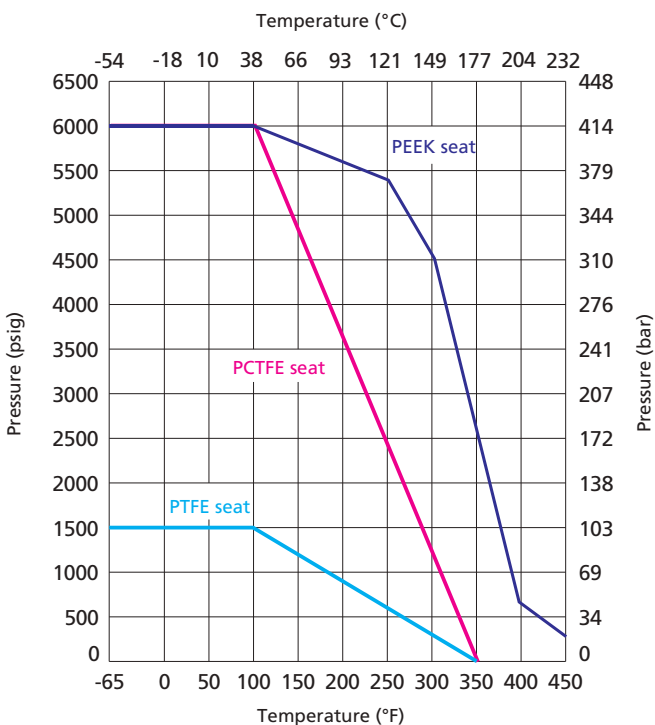
Features

- ⦿ Working pressure up to: 6000 psig (414 bar)
- ⦿ Working temperature: -65°F to 450°F (-54°C to 232°C)
- ⦿ Low operating torque
- ⦿ Handle as indicator of flow direction
- ⦿ Positive handle stop
- ⦿ Electric and pneumatic actuator available
- ⦿ Handle color options available
- ⦿ Leak-tight performance testing with nitrogen or compressed air for every valve to meet the requirement of no visible leakage at the rated pressure
- ⦿ Bidirectional flow for straight valves
- ⦿ The inlet of 3-way valves and angle pattern valves can only be the bottom port

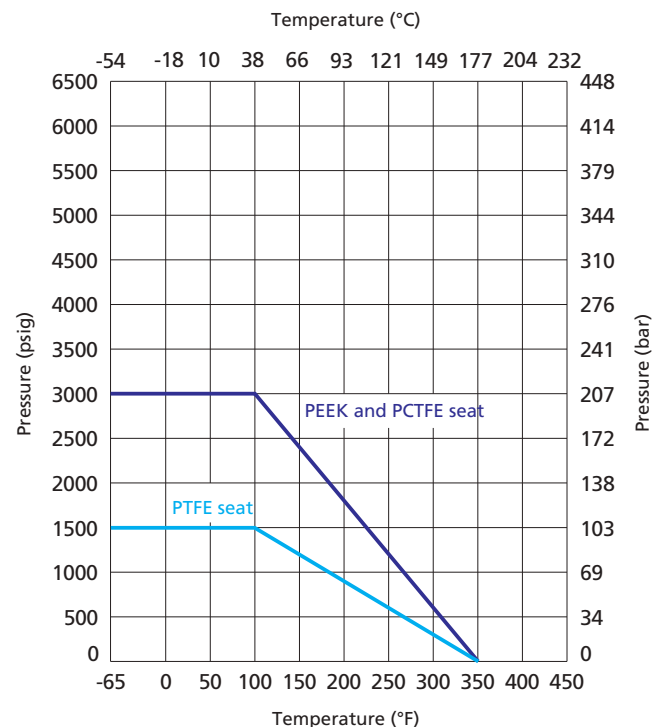


Pressure vs. Temperature

316 SS Body



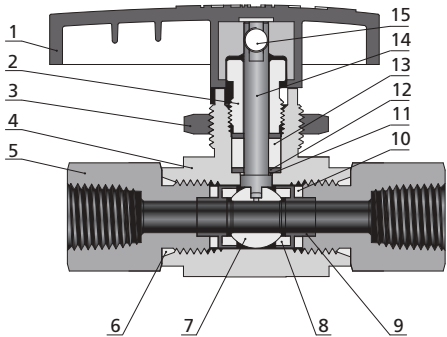
Brass Body



Note: The working pressure of valves is restricted by materials of the valve body and seat, as well as end connections. When choosing a valve for your applications, please refer to the above Temperature vs. Pressure Curves and the pressure rating in the dimension table. The minimum value shall be the pressure rating of the valve.

Standard Materials of Construction

Straight Valves

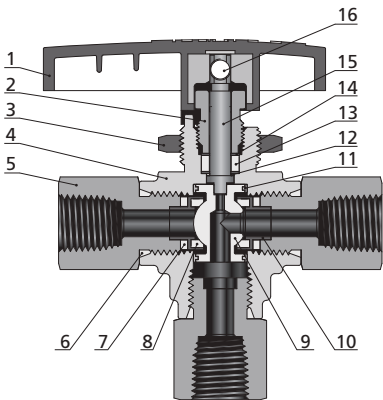


Ball Valves
Plug Valves

Item	Component	Valve Body Material	
		SS	Brass
1	Handle	Nylon or Aluminium	
2	Packing Nut	316 SS/A479	C36000/B16
3	Panel Nut	316 SS/A479	
4	<i>Body</i>	<i>CF8M/A351</i>	<i>C37700/B283</i>
5	<i>End Connection</i>	<i>316 SS/A479</i>	<i>C36000/B16</i>
6	<i>Connection Ring</i>	PTFE	
7	<i>Ball</i>	316 SS/A479	
8	<i>Seat</i>	PTFE or PCTFE or PEEK	
9	<i>Seat Retainer</i>	316 SS/A479	
10	<i>Seat Packing</i>	PTFE	
11	<i>Stem Back-up Ring</i>	PEEK	
12	<i>Stem Washer</i>	316/A479	
13	<i>Stem Packing</i>	PTFE	
14	<i>Stem</i>	316 SS/A479	
15	Set Screw	Zinc-plated carbon steel	
	<i>Lubricants</i>	Fluorinated-based	

Note: Wetted components are listed in italics.
For other materials, please contact FITOK Group or our authorized distributors.

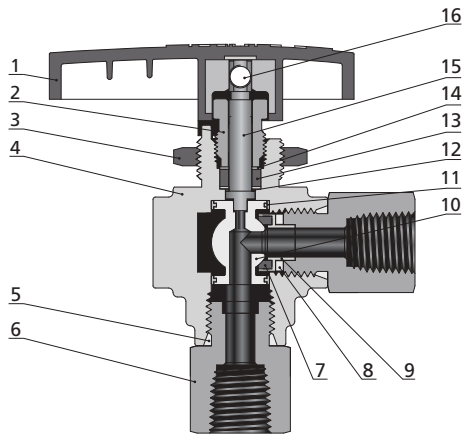
3-way Valves



Item	Component	Valve Body Material	
		SS	Brass
1	Handle	Nylon or Aluminium	
2	Packing Nut	316 SS/A479	C36000/B16
3	Panel Nut	316 SS/A479	
4	<i>Body</i>	<i>CF8M/A351</i>	<i>C37700/B283</i>
5	<i>End Connection</i>	<i>316 SS/A479</i>	<i>C36000/B16</i>
6	<i>Connection Ring</i>	PTFE	
7	<i>Seat Packing</i>	PTFE	
8	<i>Seat</i>	PTFE or PCTFE or PEEK	
9	<i>Ball</i>	316 SS/A479	
10	<i>Seat Retainer</i>	316 SS/A479	
11	<i>Trunnion Bearing</i>	PEEK	
12	<i>Stem Back-up Ring</i>	PEEK	
13	<i>Stem Packing</i>	PTFE	
14	<i>Stem Washer</i>	316 SS/A479	
15	<i>Stem</i>	316 SS/A479	
16	Set Screw	Zinc-plated carbon steel	
	<i>Lubricants</i>	Fluorinated-based	

Note: Wetted components are listed in italics.
For other materials, please contact FITOK Group or our authorized distributors.

Angle Pattern Valves



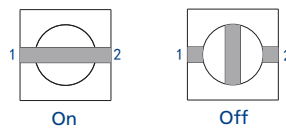
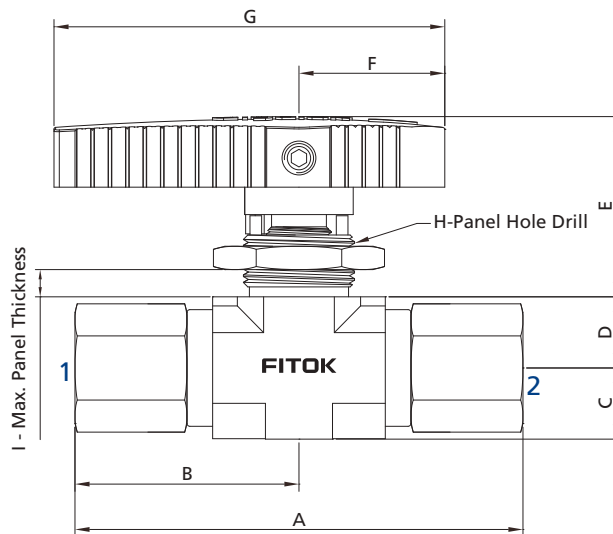
Item	Component	Valve Body Material	
		SS	Brass
1	Handle	Nylon or Aluminium	
2	Packing Nut	316 SS/A479	C36000/B16
3	Panel Nut	316 SS/A479	
4	Body	CF8M/A351	C37700/B283
5	Connection Ring	PTFE	
6	End Connection	316 SS/A479	C36000/B16
7	Seat	PTFE or PCTFE or PEEK	
8	Seat Packing	PTFE	
9	Seat Retainer	316 SS/A479	
10	Ball	316 SS/A479	
11	Trunnion Bearing	PEEK	
12	Stem Back-up Ring	PEEK	
13	Stem Packing	PTFE	
14	Stem Washer	316 SS/A479	
15	Stem	316 SS/A479	
16	Set Screw	Zinc-plated carbon Steel	
	Lubricants	Fluorinated-based	

Note: Wetted components are listed in italics.
For other materials, please contact FITOK Group or our authorized distributors.

Ball Valves
Plug Valves

Dimensions

Straight Valves

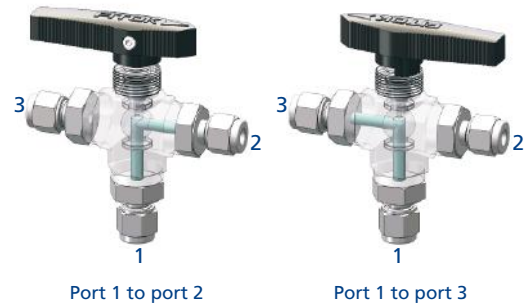
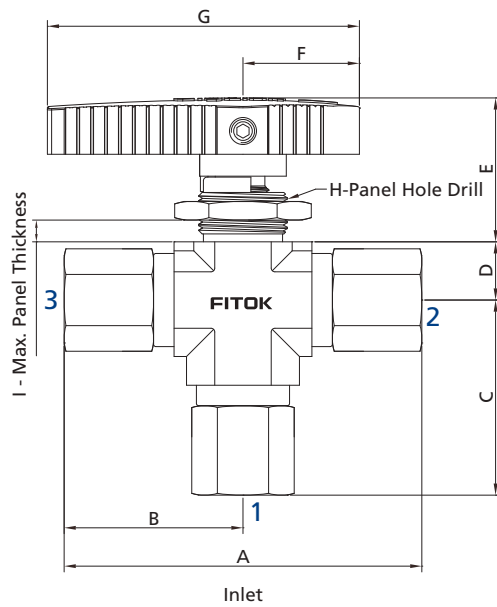


B-60 Ball Valves

Basic Ordering Number	Connection Type and Size	Pressure Rating of End Connections @ 100°F (38°C)		Orifice in. (mm)	Cv	Dimensions, in. (mm)																					
		316 SS	Brass			A	B	C	D	E	F	G	H	I													
															Connection 1/2												
BV□□-FL1-01	1/16" FITOK	6000 (414)	3000 (207)	0.05 (1.3)	0.06	2.60 (66.0)	1.30 (33.0)																				
BV□□-FL2-02	1/8" FITOK	6000 (414)	3000 (207)	0.09 (2.4)	0.21	2.72 (69.0)	1.36 (34.5)																				
BV□□-ML3-02	3 mm FITOK	6000 (414)	3000 (207)			2.74 (69.6)	1.37 (34.8)																				
BV□□-FRT2-04	1/8 Female BSPT	6000 (414)	3000 (207)	0.17 (4.2)	0.93	2.14 (54.4)	1.07 (27.2)	0.36 (9.2)	0.33 (8.5)	0.94 (23.9)	0.79 (20.0)	1.97 (50.0)	0.58 (14.7)	0.18 (4.6)													
BV□□-FRP2-04	1/8 Female BSPP	6000 (414)	3000 (207)												2.36 (60.0)	1.18 (30.0)											
BV□□-FNS2-04	1/8 Female NPT	6000 (414)	3000 (207)																								
BV□□-RT2-04	1/8 Male BSPT	6000 (414)	3000 (207)																								
BV□□-BP2-04	1/8 Male BSPP	6000 (414)	3000 (207)																								
BV□□-NS2-04	1/8 Male NPT	6000 (414)	3000 (207)																								
BV□□-RT4-04	1/4 Male BSPT	6000 (414)	3000 (207)																								
BV□□-BP4-04	1/4 Male BSPP	6000 (414)	3000 (207)			2.70 (68.6)	1.35 (34.3)																				
BV□□-NS4-04	1/4 Male NPT	6000 (414)	3000 (207)																								
BV□□-FL4-05	1/4" FITOK	6000 (414)	3000 (207)			0.19 (4.7)	1.04								3.48 (88.4)	1.74 (44.2)											
BV□□-ML6-05	6 mm FITOK	6000 (414)	3000 (207)												3.50 (89.0)	1.75 (44.5)											
BV□□-FL6-06	3/8" FITOK	6000 (414)	2200 (152)			0.25 (6.4)	2.34								3.60 (91.4)	1.80 (45.7)	0.48 (12.2)	0.48 (12.2)	1.24 (31.5)	0.59 (25.0)	2.64 (67.0)	0.77 (19.6)	0.25 (6.4)				
BV□□-ML8-06	8 mm FITOK	6000 (414)	2300 (159)	3.56 (90.4)	1.78 (45.2)																						
BV□□-ML10-06	10 mm FITOK	6000 (414)	1900 (131)	3.62 (92.0)	1.81 (46.0)																						
BV□□-FRT4-06	1/4 Female BSPT	6000 (414)	3000 (207)																								
BV□□-FRP4-06	1/4 Female BSPP	6000 (414)	3000 (207)	3.02 (76.8)	1.51 (38.4)																						
BV□□-FNS4-06	1/4 Female NPT	6000 (414)	3000 (207)																								
BV□□-RT4-06	1/4 Male BSPT	6000 (414)	3000 (207)																								
BV□□-BP4-06	1/4 Male BSPP	6000 (414)	3000 (207)																								
BV□□-NS4-06	1/4 Male NPT	6000 (414)	3000 (207)																								
BV□□-RT6-06	3/8 Male BSPT	6000 (414)	3000 (207)																								
BV□□-BP6-06	3/8 Male BSPP	6000 (414)	3000 (207)	3.24 (82.2)	1.62 (41.1)																						
BV□□-NS6-06	3/8 Male NPT	6000 (414)	3000 (207)																								
BV□□-FL8-10	1/2" FITOK	6000 (414)	2100 (145)	0.41 (10.3)	6.42	4.68 (118.8)	2.34 (59.4)																				
BV□□-FL12-10	3/4" FITOK	5800 (400)	1800 (124)																								
BV□□-ML12-10	12 mm FITOK	6000 (414)	2000 (138)	0.37 (9.5)	5.57																						
BV□□-ML14-10	14 mm FITOK	6000 (414)	1900 (131)	0.41 (10.3)	6.42	4.66 (118.4)	2.33 (59.2)	0.75 (19.0)	0.71 (18.0)	1.54 (39.0)	1.42 (36.0)	3.78 (96.0)	0.90 (22.9)	0.38 (9.7)													
BV□□-ML16-10	16 mm FITOK	5800 (400)	1700 (117)																								
BV□□-ML18-10	18 mm FITOK	5400 (372)	1600 (110)																								
BV□□-ML20-10	20 mm FITOK	5500 (379)	1600 (110)																								
BV□□-ML22-10	22 mm FITOK	4900 (338)	1450 (100)			4.84 (123.0)	2.42 (61.5)																				
BV□□-FRT6-10	3/8 Female BSPT	6000 (414)	3000 (207)																								
BV□□-FRP6-10	3/8 Female BSPP	6000 (414)	3000 (207)			3.90 (99.0)	1.95 (49.5)																				
BV□□-FNS6-10	3/8 Female NPT	6000 (414)	3000 (207)																								
BV□□-FRT8-10	1/2 Female BSPT	6000 (414)	3000 (207)			4.30 (109.2)	2.15 (54.6)																				
BV□□-FRP8-10	1/2 Female BSPP	6000 (414)	3000 (207)			3.97 (101.0)	1.99 (50.5)																				
BV□□-FNS8-10	1/2 Female NPT	6000 (414)	3000 (207)			4.30 (109.2)	2.15 (54.6)																				
BV□□-FRT12-10	3/4 Female BSPT	6000 (414)	3000 (207)																								
BV□□-FRP12-10	3/4 Female BSPP	6000 (414)	3000 (207)																								
BV□□-FNS12-10	3/4 Female NPT	6000 (414)	3000 (207)																								
BV□□-RT8-10	1/2 Male BSPT	6000 (414)	3000 (207)																								
BV□□-BP8-10	1/2 Male BSPP	6000 (414)	3000 (207)																								
BV□□-NS8-10	1/2 Male NPT	6000 (414)	3000 (207)																								
BV□□-RT12-10	3/4 Male BSPT	6000 (414)	3000 (207)																								
BV□□-BP12-10	3/4 Male BSPP	6000 (414)	3000 (207)	4.44 (112.8)	2.22 (56.4)																						
BV□□-NS12-10	3/4 Male NPT	6000 (414)	3000 (207)																								

Ball Valves
Plug Valves

3-way Valves



Ball Valves
Plug Valves

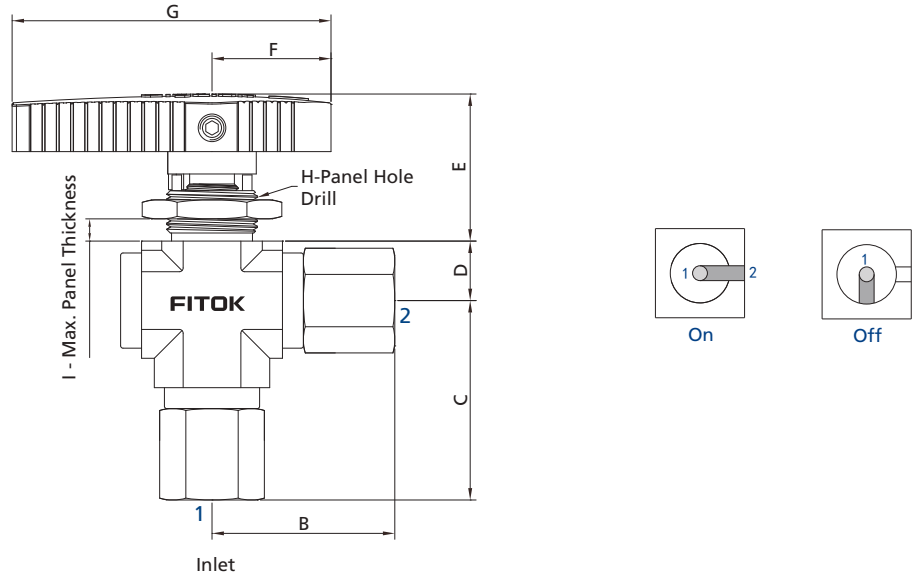
Basic Ordering Number	Connection Type and Size	Pressure Rating of End Connections @ 100°F (38°C), psig (bar)		Orifice in. (mm)	Cv	Dimensions, in. (mm)												
		316 SS	Brass			A	B	C	D	E	F	G	H	I				
BV□□-FL1-01-3	1/16" FITOK	6000 (414)	3000 (207)	0.05 (1.3)	0.06	2.60 (66.0)	1.30 (33.0)	1.35 (34.3)										
BV□□-FL2-02-3	1/8" FITOK	6000 (414)	3000 (207)	0.09 (2.4)	0.21	2.72 (69.0)	1.36 (34.5)	1.41 (35.8)										
BV□□-ML3-02-3	3 mm FITOK	6000 (414)	3000 (207)			2.74 (69.6)	1.37 (34.8)	1.42 (36.1)										
BV□□-FRT2-04-3	1/8 Female BSPT	6000 (414)	3000 (207)			2.14 (54.4)	1.07 (27.2)	1.12 (28.5)										
BV□□-FRP2-04-3	1/8 Female BSPP	6000 (414)	3000 (207)															
BV□□-FNS2-04-3	1/8 Female NPT	6000 (414)	3000 (207)						0.33 (8.5)	0.94 (23.9)	0.79 (20.0)	1.97 (50.0)	0.58 (14.7)	0.18 (4.6)				
BV□□-RT2-04-3	1/8 Male BSPT	6000 (414)	3000 (207)	0.12 (3.0)	0.28	2.36 (60.0)	1.18 (30.0)	1.23 (31.3)										
BV□□-BP2-04-3	1/8 Male BSPP	6000 (414)	3000 (207)															
BV□□-NS2-04-3	1/8 Male NPT	6000 (414)	3000 (207)															
BV□□-RT4-04-3	1/4 Male BSPT	6000 (414)	3000 (207)															
BV□□-BP4-04-3	1/4 Male BSPP	6000 (414)	3000 (207)			2.70 (68.6)	1.35 (34.3)	1.40 (35.6)										
BV□□-NS4-04-3	1/4 Male NPT	6000 (414)	3000 (207)															
BV□□-FL4-05-3	1/4" FITOK	6000 (414)	3000 (207)			3.48 (88.4)	1.74 (44.2)	1.88 (47.7)										
BV□□-ML6-05-3	6 mm FITOK	6000 (414)	3000 (207)			3.50 (89.0)	1.75 (44.5)	1.89 (48.0)										
BV□□-FL6-05-3	3/8" FITOK	6000 (414)	3000 (207)			3.60 (91.4)	1.80 (45.7)	1.94 (49.2)										
BV□□-ML8-05-3	8 mm FITOK	6000 (414)	3000 (207)			3.56 (90.4)	1.78 (45.2)	1.92 (48.7)										
BV□□-ML10-05-3	10 mm FITOK	6000 (414)	3000 (207)			3.62 (92.0)	1.81 (46.0)	1.95 (49.5)										
BV□□-FRT4-05-3	1/4 Female BSPT	6000 (414)	3000 (207)															
BV□□-FRP4-05-3	1/4 Female BSPP	6000 (414)	3000 (207)															
BV□□-FNS4-05-3	1/4 Female NPT	6000 (414)	3000 (207)	0.19 (4.7)	0.70	3.02 (76.8)	1.51 (38.4)	1.65 (41.9)	0.48 (12.2)	1.24 (31.5)	0.59 (25.0)	2.64 (67.0)	0.77 (19.6)	0.25 (6.4)				
BV□□-RT4-05-3	1/4 Male BSPT	6000 (414)	3000 (207)															
BV□□-BP4-05-3	1/4 Male BSPP	6000 (414)	3000 (207)															
BV□□-NS4-05-3	1/4 Male NPT	6000 (414)	3000 (207)															
BV□□-RT6-05-3	3/8 Male BSPT	6000 (414)	3000 (207)			3.24 (82.2)	1.62 (41.1)	1.76 (44.6)										
BV□□-BP6-05-3	3/8 Male BSPP	6000 (414)	3000 (207)															
BV□□-NS6-05-3	3/8 Male NPT	6000 (414)	3000 (207)															

B-62 Ball Valves

Ball Valves
Plug Valves

Basic Ordering Number	Connection Type and Size	Pressure Rating of End Connections @ 100°F (38°C), psig (bar)		Orifice in. (mm)	Cv	Dimensions, in. (mm)								
		316 SS	Brass			A	B	C	D	E	F	G	H	I
BV□□-FL8-10-3	1/2" FITOK	6000 (414)	2100 (145)	0.37 (9.5)	3.48	4.68 (118.8)	2.34 (59.4)	2.68 (68.1)	0.71 (18.0)	1.54 (39.0)	1.42 (36.0)	3.78 (96.0)	0.90 (22.9)	0.38 (9.7)
BV□□-FL12-10-3	3/4" FITOK	5800 (400)	1800 (124)			4.66(118.4)	2.33 (59.2)	2.67 (67.9)						
BV□□-ML12-10-3	12 mm FITOK	6000 (414)	2000 (138)			4.84 (123.0)	2.42 (61.5)	2.76 (70.2)						
BV□□-ML14-10-3	14 mm FITOK	6000 (414)	1900 (131)											
BV□□-ML16-10-3	16 mm FITOK	5800 (400)	1700 (117)			3.90 (99.0)	1.95 (49.5)	2.29 (58.2)						
BV□□-ML18-10-3	18 mm FITOK	5400 (372)	1600 (110)											
BV□□-ML20-10-3	20 mm FITOK	5500 (379)	1600 (110)			4.30 (109.2)	2.15 (54.6)	2.49 (63.3)						
BV□□-ML22-10-3	22 mm FITOK	4900 (338)	1450 (100)											
BV□□-FRT6-10-3	3/8 Female BSPT	6000 (414)	3000 (207)			3.97 (101.0)	1.99 (50.5)	2.33 (59.1)						
BV□□-FRP6-10-3	3/8 Female BSPP	6000 (414)	3000 (207)											
BV□□-FNS6-10-3	3/8 Female NPT	6000 (414)	3000 (207)			4.30 (109.2)	2.15 (54.6)	2.49 (63.3)						
BV□□-FRT8-10-3	1/2 Female BSPT	6000 (414)	3000 (207)											
BV□□-FRP8-10-3	1/2 Female BSPP	6000 (414)	3000 (207)			4.50 (114.2)	2.25 (57.1)	2.59 (65.8)						
BV□□-FNS8-10-3	1/2 Female NPT	6000 (414)	3000 (207)											
BV□□-FRT12-10-3	3/4 Female BSPT	6000 (414)	3000 (207)			4.44 (112.8)	2.22 (56.4)	2.56 (65.1)						
BV□□-FRP12-10-3	3/4 Female BSPP	6000 (414)	3000 (207)											
BV□□-FNS12-10-3	3/4 Female NPT	6000 (414)	3000 (207)											
BV□□-RT8-10-3	1/2 Male BSPT	6000 (414)	3000 (207)											
BV□□-BP8-10-3	1/2 Male BSPP	6000 (414)	3000 (207)											
BV□□-NS8-10-3	1/2 Male NPT	6000 (414)	3000 (207)											
BV□□-RT12-10-3	3/4 Male BSPT	6000 (414)	3000 (207)											
BV□□-BP12-10-3	3/4 Male BSPP	6000 (414)	3000 (207)											
BV□□-NS12-10-3	3/4 Male NPT	6000 (414)	3000 (207)											

Angle Pattern Valves



Ball Valves
Plug Valves

Basic Ordering Number	Connection Type and Size	Pressure Rating of End Connections @ 100°F (38°C), psig (bar)		Orifice in. (mm)	Cv	Dimensions, in. (mm)											
		316 SS	Brass			B	C	D	E	F	G	H	I				
BV□□-FL1-01-A	1/16" FITOK	6000 (414)	3000 (207)	0.05 (1.3)	0.06	1.30 (33.0)	1.35 (34.3)										
BV□□-FL2-02-A	1/8" FITOK	6000 (414)	3000 (207)	0.09 (2.4)	0.21	1.36 (34.5)	1.41 (35.8)										
BV□□-ML3-02-A	3 mm FITOK	6000 (414)	3000 (207)			1.37 (34.8)	1.42 (36.1)										
BV□□-FRT2-04-A	1/8 Female BSPT	6000 (414)	3000 (207)	0.12 (3.0)	0.28	1.07 (27.2)	1.12 (28.5)										
BV□□-FRP2-04-A	1/8 Female BSPP	6000 (414)	3000 (207)														
BV□□-FNS2-04-A	1/8 Female NPT	6000 (414)	3000 (207)					0.33 (8.5)	0.94 (23.9)	0.79 (20.0)	1.97 (50.0)	0.58 (14.7)	0.18 (4.6)				
BV□□-RT2-04-A	1/8 Male BSPT	6000 (414)	3000 (207)					1.18 (30.0)	1.23 (31.3)								
BV□□-BP2-04-A	1/8 Male BSPP	6000 (414)	3000 (207)														
BV□□-NS2-04-A	1/8 Male NPT	6000 (414)	3000 (207)														
BV□□-RT4-04-A	1/4 Male BSPT	6000 (414)	3000 (207)														
BV□□-BP4-04-A	1/4 Male BSPP	6000 (414)	3000 (207)					1.35 (34.3)	1.40 (35.6)								
BV□□-NS4-04-A	1/4 Male NPT	6000 (414)	3000 (207)														
BV□□-FL4-05-A	1/4" FITOK	6000 (414)	3000 (207)			0.19 (4.7)	0.70	1.74 (44.2)	1.88 (47.7)								
BV□□-ML6-05-A	6 mm FITOK	6000 (414)	3000 (207)							1.75 (44.5)	1.89 (48.0)						
BV□□-FL6-05-A	3/8" FITOK	6000 (414)	2200 (152)							1.80 (45.7)	1.94 (49.2)						
BV□□-ML8-05-A	8 mm FITOK	6000 (414)	2300 (159)					1.78 (45.2)	1.92 (48.7)								
BV□□-ML10-05-A	10 mm FITOK	6000 (414)	1900 (131)					1.81 (46.0)	1.95 (49.5)								
BV□□-FRT4-05-A	1/4 Female BSPT	6000 (414)	3000 (207)														
BV□□-FRP4-05-A	1/4 Female BSPP	6000 (414)	3000 (207)					1.51 (38.4)	1.65 (41.9)	0.48 (12.2)	1.24 (31.5)	0.59 (25.0)	2.64 (67.0)	0.77 (19.6)	0.25 (6.4)		
BV□□-FNS4-05-A	1/4 Female NPT	6000 (414)	3000 (207)														
BV□□-RT4-05-A	1/4 Male BSPT	6000 (414)	3000 (207)														
BV□□-BP4-05-A	1/4 Male BSPP	6000 (414)	3000 (207)														
BV□□-NS4-05-A	1/4 Male NPT	6000 (414)	3000 (207)														
BV□□-RT6-05-A	3/8 Male BSPT	6000 (414)	3000 (207)					1.62 (41.1)	1.76 (44.6)								
BV□□-BP6-05-A	3/8 Male BSPP	6000 (414)	3000 (207)														
BV□□-NS6-05-A	3/8 Male NPT	6000 (414)	3000 (207)														

B-64 Ball Valves

Ball Valves
Plug Valves

Basic Ordering Number	Connection Type and Size	Pressure Rating of End Connections @ 100°F (38°C), psig (bar)		Orifice in. (mm)	Cv	Dimensions, in. (mm)							
	Connection 1/2	316 SS	Brass			B	C	D	E	F	G	H	I
BV□□-FL8-10-A	1/2" FITOK	6000 (414)	2100 (145)	0.37 (9.5)	3.48	2.34(59.4)	2.68(68.1)	0.71 (18.0)	1.54 (39.0)	1.42 (36.0)	3.78 (96.0)	0.90 (22.9)	0.38 (9.7)
BV□□-FL12-10-A	3/4" FITOK	5800 (400)	1800 (124)										
BV□□-ML12-10-A	12 mm FITOK	6000 (414)	2000 (138)										
BV□□-ML14-10-A	14 mm FITOK	6000 (414)	1900 (131)			2.33 (59.2)	2.67 (67.9)						
BV□□-ML16-10-A	16 mm FITOK	5800 (400)	1700 (117)										
BV□□-ML18-10-A	18 mm FITOK	5400 (372)	1600 (110)										
BV□□-ML20-10-A	20 mm FITOK	5500 (379)	1600 (110)			2.42 (61.5)	2.76 (70.2)						
BV□□-ML22-10-A	22 mm FITOK	4900 (338)	1450 (100)										
BV□□-FRT6-10-A	3/8 Female BSPT	6000 (414)	3000 (207)			1.95 (49.5)	2.29 (58.2)						
BV□□-FRP6-10-A	3/8 Female BSPP	6000 (414)	3000 (207)										
BV□□-FNS6-10-A	3/8 Female NPT	6000 (414)	3000 (207)										
BV□□-FRT8-10-A	1/2 Female BSPT	6000 (414)	3000 (207)			2.15 (54.6)	2.49 (63.3)						
BV□□-FRP8-10-A	1/2 Female BSPP	6000 (414)	3000 (207)			1.99 (50.5)	2.33 (59.1)						
BV□□-FNS8-10-A	1/2 Female NPT	6000 (414)	3000 (207)			2.15 (54.6)	2.49 (63.3)						
BV□□-FRT12-10-A	3/4 Female BSPT	6000 (414)	3000 (207)										
BV□□-FRP12-10-A	3/4 Female BSPP	6000 (414)	3000 (207)			2.25 (57.1)	2.59 (65.8)						
BV□□-FNS12-10-A	3/4 Female NPT	6000 (414)	3000 (207)										
BV□□-RT8-10-A	1/2 Male BSPT	6000 (414)	3000 (207)										
BV□□-BP8-10-A	1/2 Male BSPP	6000 (414)	3000 (207)										
BV□□-NS8-10-A	1/2 Male NPT	6000 (414)	3000 (207)										
BV□□-RT12-10-A	3/4 Male BSPT	6000 (414)	3000 (207)			2.22 (56.4)	2.56 (65.1)						
BV□□-BP12-10-A	3/4 Male BSPP	6000 (414)	3000 (207)										
BV□□-NS12-10-A	3/4 Male NPT	6000 (414)	3000 (207)										

1. FITOK means FITOK double ferrule tube fittings.
2. Sizes and types listed are standard. Other sizes and types are available upon request, please contact FITOK Group or our authorized distributors.
3. Dimensions are shown with tube fitting nuts finger-tightened. All dimensions are for reference only and are subject to change.
For dimensions not shown above, please contact FITOK Group or our authorized distributors.

Locking Device

Locking Device 1

- ⦿ Locks BV series 2-way or 3-way valves, featuring a locking hole diameter of 0.21 in (5.2 mm).
- ⦿ To order a ball valve with Locking Device 1, add - L to the valve ordering number.
Example: BVSS-ML12-10- L/BVSS-ML12-10-3- L



Locking Device 1

Locking Device 2

- ⦿ Locks BV series 2-way or 3-way valves, featuring different locking hole diameters:
0.21 in (5.2 mm) for valves with orifice designators 05 and 06
0.34 in (8.7 mm) for valves with orifice designator 10
- ⦿ To order a ball valve with Locking Device 2, add - LP to the valve ordering number.
Example: BVSS-ML12-10-LP/BVSS-ML12-10-3-LP
- ⦿ No impact on panel mounting.
- ⦿ Locking device kits are also available for individual purchase to add locking functionality to your existing standard manual ball valves, with ordering information as follows:



Locking Device 2

Locking Device 2 Kits

Name	Valve Orifice	Locking Hole Diameter	Kit Ordering Number	Content
Locking Device Kits	05, 06	0.21 in (5.2 mm)	BV54-06-LP-RK	Upper lock plate, lower lock plate
	10	0.34 in (8.7 mm)	BV54-10-LP-RK	

Ball Valve without Handle

- ⦿ Ball Valve without handle can be directly connected to the FITOK actuator assembly.
- ⦿ To order, please add -AM to the valve ordering number.
Example: BVSS-FL4-05-AM

Ordering Number Description

BVSS - FL8 - ML12 - ML10 - P06 - RXHQ3 - L - SCEF2

Series	Body Material	Connection 1 Type	Connection 1 Size	Connection 2/3 Type	Connection 2/3 Size	Seat Material	Orifice Size	Handle/Actuator	For Actuator	Flow Pattern	Locking Device	Special Application	Cleaning and Packaging		
BV	SS 6L S4 B	CF8M CF3M CF8 Brass	FNS NS FRT RT FMS MS FRP BP FL ML UFB UMB UPB	Female NPT Male NPT Female BSPT Male BSPT Female Metric Thread (for RG-M) Male Metric Thread (for RG-M) Female BSPP (For RP) Male BSPP (For RG) Fractional Tube Fitting Metric Tube Fitting Rotatable Fractional Tube Butt Weld Rotatable Metric Tube Butt Weld Nut + Gasket + Pipe Bulged Nipple	2 3 4 5 6 8 10 12 14 16 18 20 22 24	1/8" 3 mm 1/4" 5/16" 3/8" or 6 mm or M6 x 1 1/2" or 8 mm 10 mm or M10 x 1 3/4" or 12 mm 14 mm or M14 x 1.5 16 mm 18 mm 20 mm or M20 x 1.5 22 mm or M22 x 1.5 M24 x 1.5	PTFE K PCTFE P PEEK	02 03 04 05 06 10	0.09" (2.4 mm) 0.13" (3.2 mm) 0.17" (4.2 mm) 0.19" (4.7 mm) 0.25" (6.4 mm) 0.41" (10.3 mm)	I GR J Y U AM C O D LX RX DX E EX	Black Nylon Handle Red Nylon Handle Green Nylon Handle Blue Nylon Handle Yellow Nylon Handle Black Aluminium Handle Without Handle 90° Normally Closed Pneumatic Actuator 90° Normally Open Pneumatic Actuator 90° Double Acting Pneumatic Actuator 180° Left End Normally Open Pneumatic Actuator 180° Right End Normally Open Pneumatic Actuator 180° Double Acting Pneumatic Actuator 90° Electric Actuator 180° Electric Actuator	H N Q HQ NQ	None Mechanical Limit Switch Inductive Limit Switch Solenoid Valve Mechanical Limit Switch and Solenoid Valve Inductive Limit Switch and Solenoid Valve	No L Locking Device 1 LP Locking Device 2 Straight A Angle (Bottom Port Inlet) 3 3-Way (Diverter Valve)	None S NACE MR0175 SI SilcoNert® 2000 (Sulfinert®) Coating CE CE Certification FC-01 F2 FC-02

Note: "Ordering Number Description" is a reference to understand the combination rules of FITOK product part number. Not all combinations are available.

- Standard thread pitch for metric threads are as follows:
M10 and below: 1 mm
M12 to M24: 1.5 mm
Standard thread pitch should be omitted in the ordering number, others should be specified.
- For oxygen-enriched environment or hazardous media service, contact FITOK Group or our authorized distributors.
- Cleaning and Packaging:
FC-01: Standard cleaning and packaging for general industrial procedures.
FC-02: Special cleaning and packaging for wetted system components to ensure compliance with product cleaning requirement of ASTM G93 Level C.
- For more information about pneumatic actuator ball valves, please refer to the catalog Actuated Ball Valves.
- SilcoNert® 2000 (Sulfinert®) Coating: Except for ball valves with PEEK seat, wetted metal components SilcoNert® 2000 (Sulfinert®) coated.
- CE certification is available. For more information, please contact FITOK group or our authorized distributors