

High Flow Sensitive Check Valves

CF Series

Introduction

High Flow Sensitive Check Valves, also known as exhaust check valves, feature minimal cracking pressure and high capacity. These valves are typically installed on the exhaust side of a vacuum pump to prevent air from entering the system during pump shutdowns or malfunctions.



Features

- ◎ 316 SS body, equipped with FKM O-ring
- ◎ Minimal cracking pressure
- ◎ Large orifice and high capacity
- ◎ KF Vacuum Flange Port

Technical Data

Nominal Cracking Pressure psig (mbar)	0.22 (15)	0.36 (25)	0.73 (50)	0.91 (63)	1.02 (70)
Cracking Pressure Range psig (mbar)	0.1~0.25 (6.9~17.2)	0.27~0.4 (18.6~27.6)	0.6~0.75 (41.4~51.7)	0.7~0.95 (55.2~65.5)	0.85~1.05 (62.1~72.4)
Reseal Pressure psig (mbar)	Back Pressure ≤0.1 (6.9)	Inlet Pressure ≥0.2 (13.8)	Inlet Pressure ≥0.4 (25.6)	Inlet Pressure ≥0.5 (41.4)	Inlet Pressure ≥0.65 (44.8)
Max. Working Pressure psig (bar)	145 (10)				
Working Temperature Range °F (°C)	32 ~ 248 (0 ~ 120)				
Wetted Surface Roughness µin. (µm)	Mechanical Polishing Ra 16 (0.4)				
Process Specification	FC-01 or FC-02				
Flow Coefficient (Cv)	14.4				
Leak Rate (Helium)	Internal	<1×10 ⁻⁷ std cm ³ /s			
	External	<5×10 ⁻¹⁰ std cm ³ /s			

Fittings

Valves

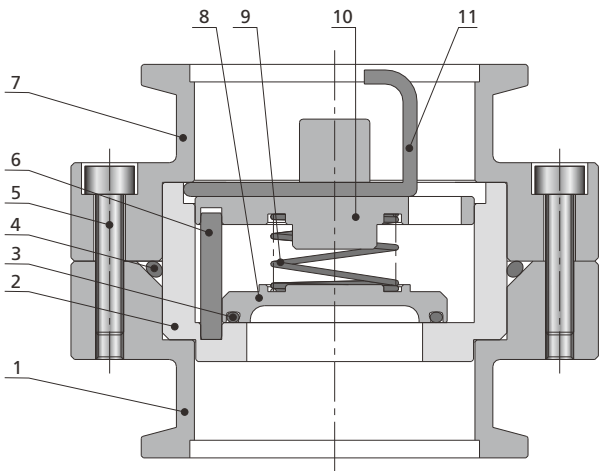
Regulators

Filters

Tubing

Integrated
SystemsOther
ProductsTechnical
Information

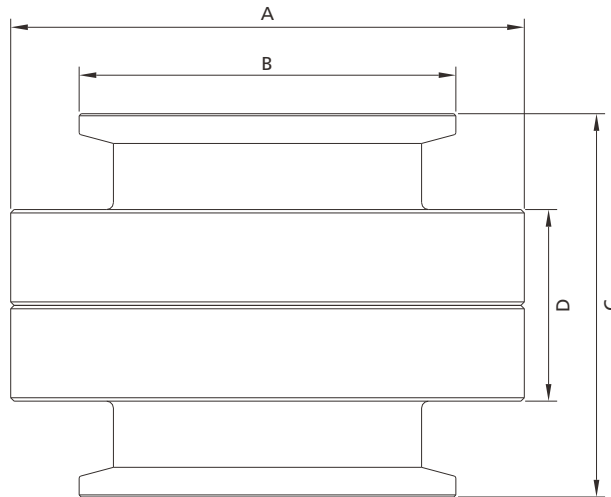
Major Materials of Construction



Item	Component	Material Grade
1	Inlet Body	316 SS
2	Sleeve	316 SS
3	O-ring	FKM
4	O-ring	FKM
5	Screw	Stainless Steel
6	Round Pin	Stainless Steel
7	Outlet Body	316 SS
8	Poppet	316 SS
9	Spring	304 SS
10	Seat	316 SS
11	Limit Bracket	316 SS

Dimensions and Ordering Information

Dimensions, in inches (millimeters), are for reference only.

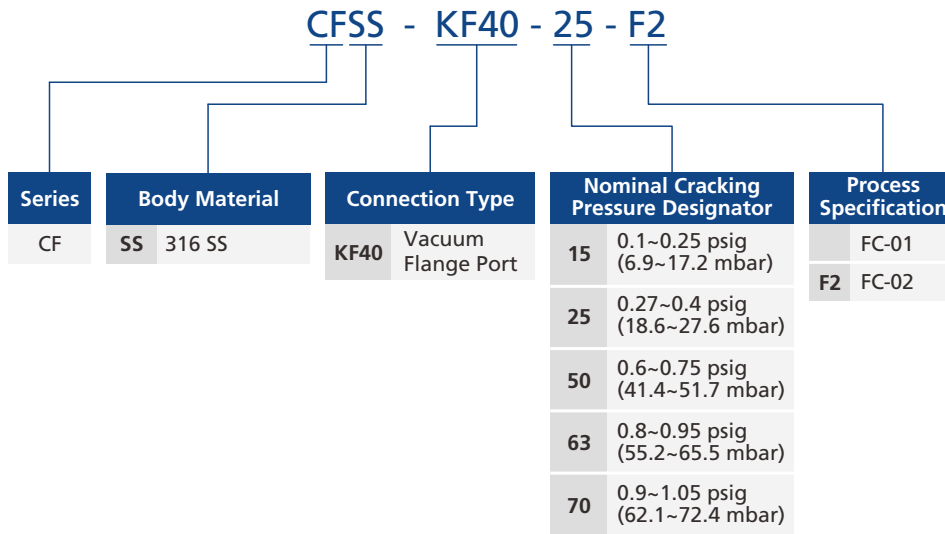


Basic Ordering Number	Connection Type	Orifice in. (mm)	Cv	Dimensions, in. (mm)			
				A	B	C	D
CF□□-KF40-□□-□□-□□	KF40	0.98 (25)	14.4	2.95 (75)	2.17 (55)	2.2 (56)	1.1 (28)

Note: Dimensions are for reference only and are subject to change. For other dimensions, please contact FITOK Group or our authorized distributors.

Fittings
 Valves
 Regulators
 Filters
 Tubing
 Integrated Systems
 Other Products
 Technical Information

Ordering Number Description



Notes:

1. "Ordering Number Description" is a reference to understand the combination rules of FITOK product part number.
Not all combinations are available, Should you have any questions, please contact FITOK Group or our authorized distributors.
2. Check valve is designed with unidirectional flow path, it can't be used as safety relief valve.

- Fittings
- Valves
- Regulators
- Filters
- Tubing
- Integrated Systems
- Other Products
- Technical Information