

Regulators

General Piston Regulators

RPGC Series

Introduction

RPGC Series General Piston Regulators feature a single-stage pressure reduction design with a piston sensing mechanism that is more resistant to damage caused by pressure spikes and offers a broad outlet pressure range. With eight port configuration options, these regulators accommodate a variety of gas and liquid applications.



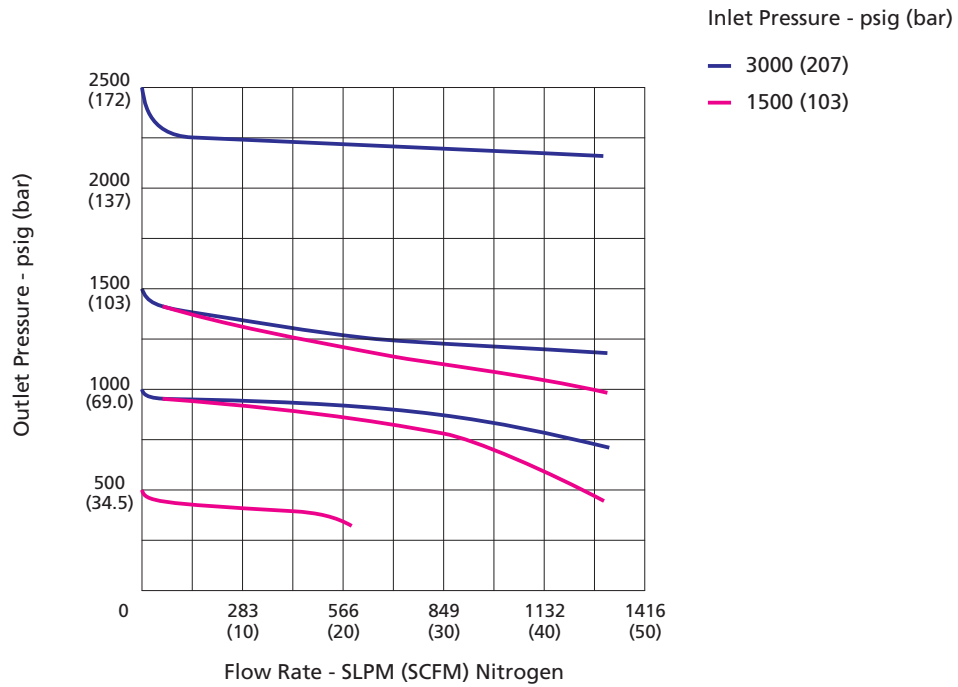
Features

- ⦿ Built-in 40 µm inlet filter for cleanliness and extended service life
- ⦿ Optional self-venting feature
- ⦿ The bonnet includes a captured vent port, allowing media to be vented to a designated location in the event of accidental O-ring failure

Technical Data

Port Size		1/4", 3/8", 6 mm or 8 mm
Max. Working Pressure		6000 psig (414 bar)
Outlet Pressure Range		0 ~ 250 psig (0 ~ 17.2 bar)
		0 ~ 500 psig (0 ~ 34.5 bar)
		0 ~ 750 psig (0 ~ 51.7 bar)
		0 ~ 1000 psig (0 ~ 69.0 bar)
		0 ~ 1500 psig (0 ~ 103 bar)
		0 ~ 2500 psig (0 ~ 172 bar)
Flow Coefficient (Cv)	Non-self-venting	0.06
	Self-venting	0.1
Working Temperature	FKM	-4 ~ 165 °F (-20 ~ 74 °C)
	FFKM	-1.4 ~ 165 °F (-17 ~ 74 °C)
SPE (Supply Pressure Effect)	Outlet Pressure: 250, 500 psig	1.3 psig per 100 psig source pressure change
	Outlet Pressure: 750, 1000 psig	1.9 psig per 100 psig source pressure change
	Outlet Pressure: 1500, 2000 psig	4.5 psig per 100 psig source pressure change
Leak Rate	External	Bubble tight
	Internal	Bubble tight

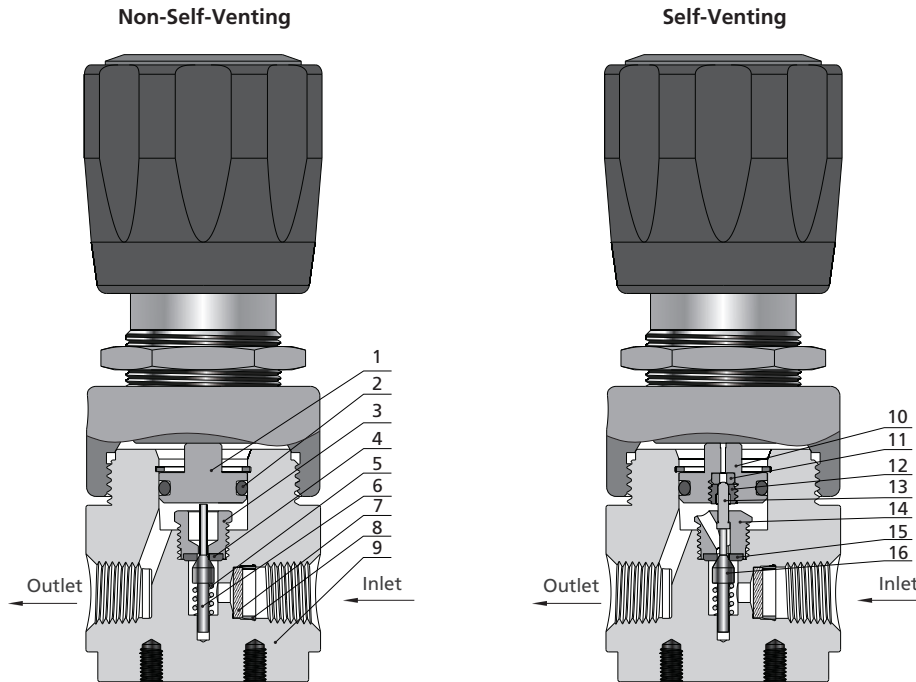
Flow Data



Process Specification

Item	Process Specification	Special Cleaning and Packaging Process (FC-02)
Material		316 SS, 316L SS, Brass (Nickle-Plated)
Wetted Surface Roughness		Ra 32 $\mu\text{in.}$ (0.8 μm)
Polishing Process		Machine Finished
Assembly Environment		In specially cleaned areas
Packaging		Double bagged

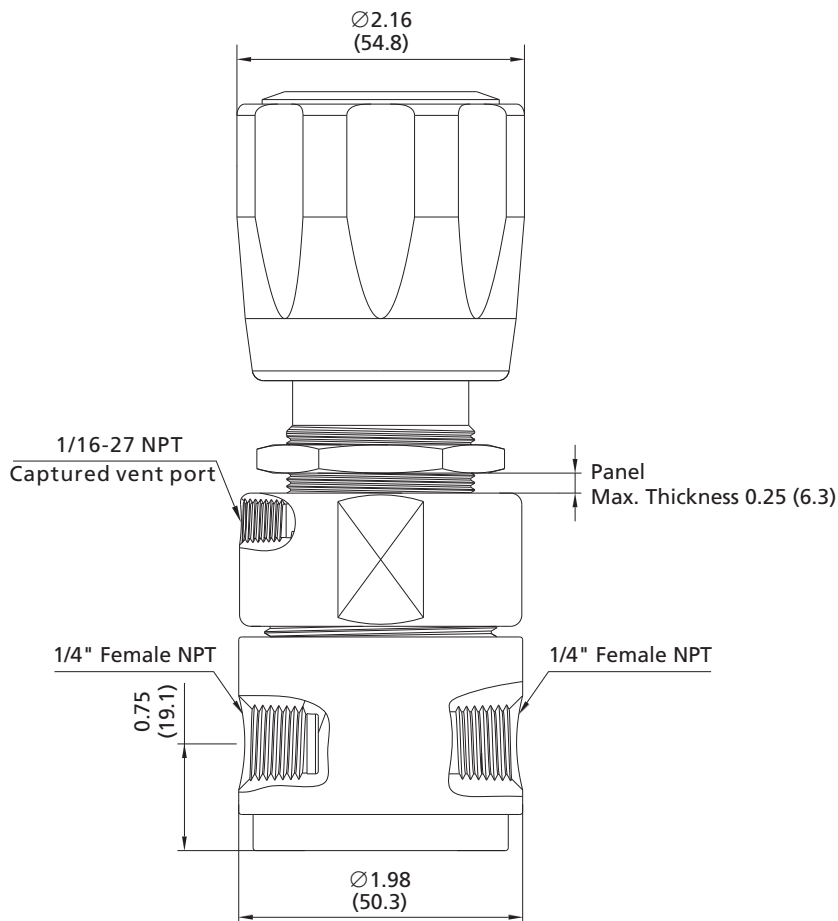
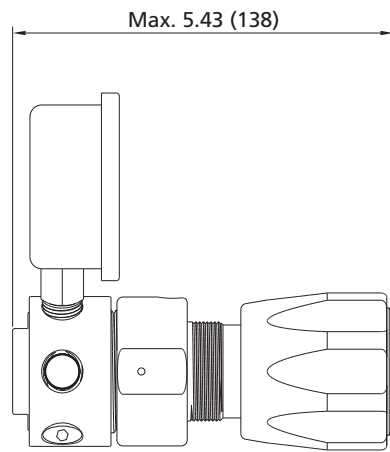
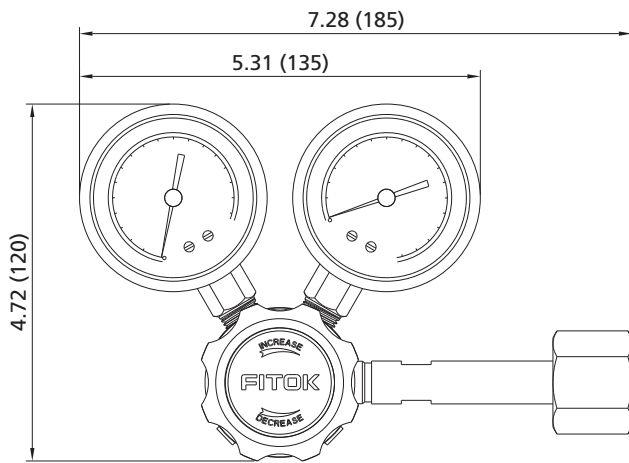
Major Materials of Construction



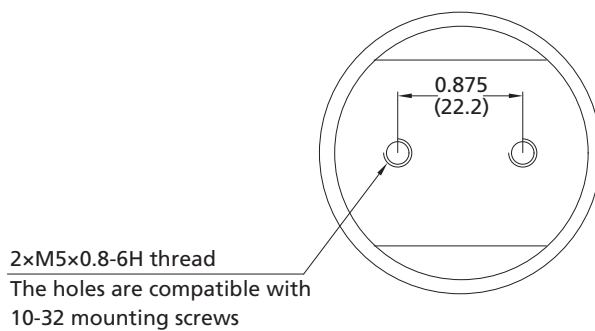
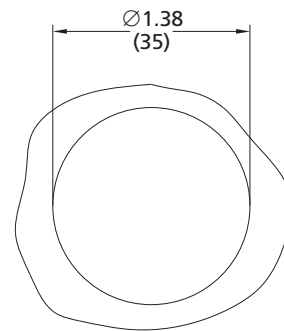
Item	Component	Material/Specification
1	Piston	316L SS/ASTM A276
2	O-Ring	FKM or FFKM
3	Seat Retainer	316L SS/ASTM A479
4	Seat	PCTFE/ASTM D1430
5	Poppet Spring	Alloy
6	Lift Poppet	Alloy C-276/ASTM B574
7	Filter	316L SS
8	Retaining Ring	PTFE/ASTM D1710
9	Body	316L SS/ASTM A479 or 316 SS/ASTM A479 or Brass (Nickle-Plated)
10	Vent Piston	316L SS/ASTM A479
11	Vent Seat	PEEK
12	Vent Bushing	316L SS/ASTM A479
13	Vent Rod	Alloy C-276/ASTM B574
14	Vent Seat Retainer	316L SS/ASTM A479
15	Seat	PEEK
16	Vent Poppet	Alloy C-276/ASTM B574

Dimensions

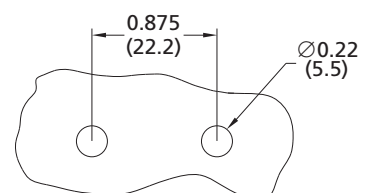
Dimensions, in inches (millimeters), are for reference only.



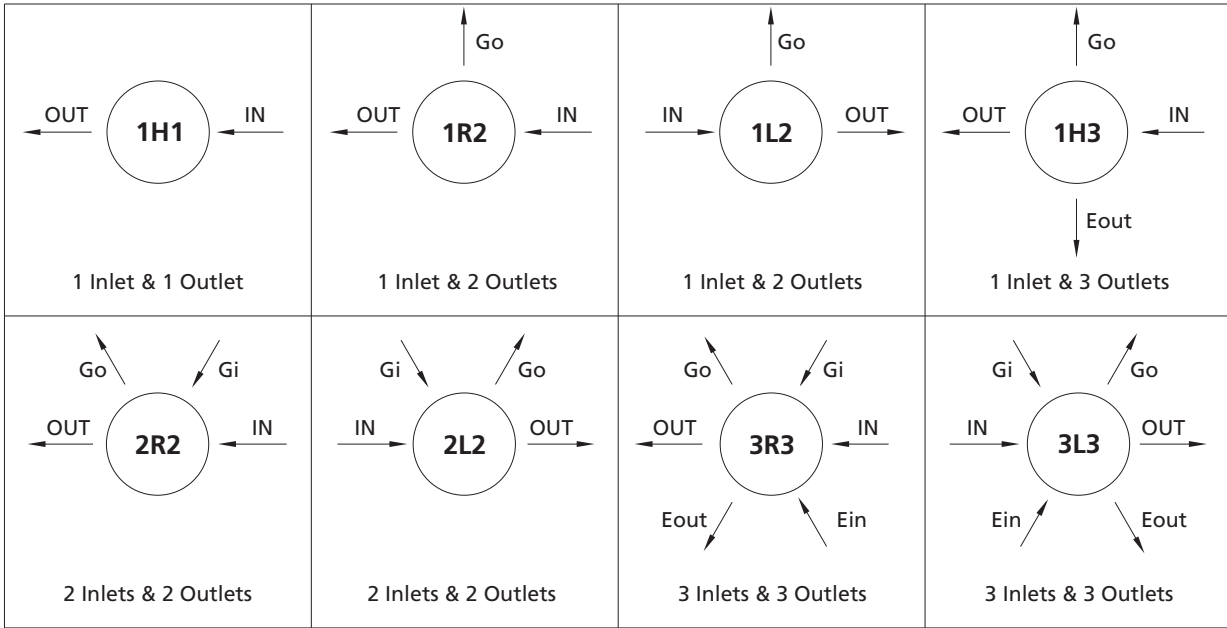
Panel Mounting Cut-Out



Bottom Mounting Cut-Outs



Porting Configurations



Porting Configuration Symbol

IN	OUT	Gi	Go	Ein	Eout
Inlet	Outlet	Inlet Pressure Gauge Port	Outlet Pressure Gauge Port	Auxiliary Inlet	Auxiliary Outlet

Notes:

1. IN and OUT are the inlet and outlet ports for connecting the valve to the system. Ports other than IN and OUT should not be used for system connections.
2. Porting configuration is viewed from the top.

